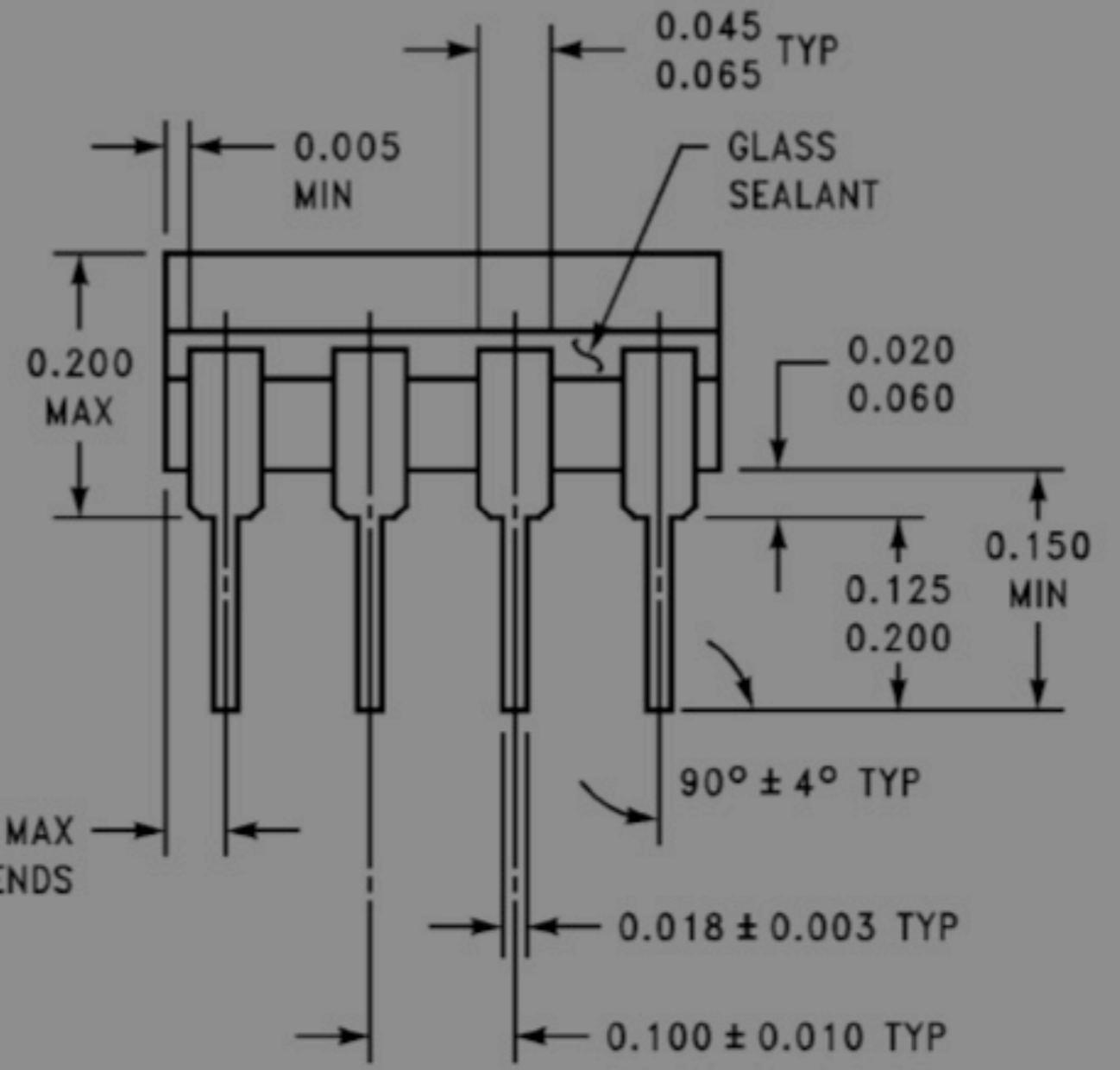
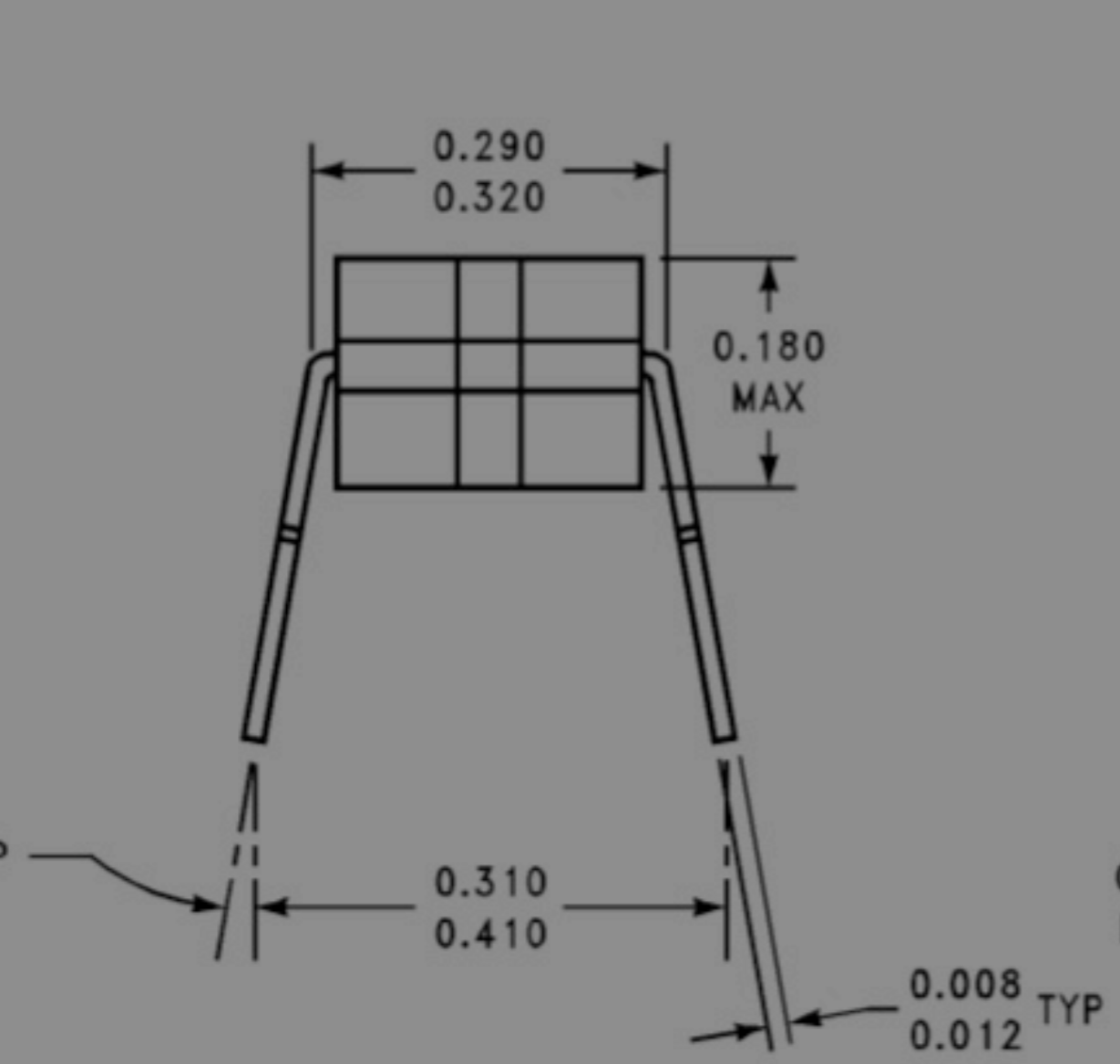
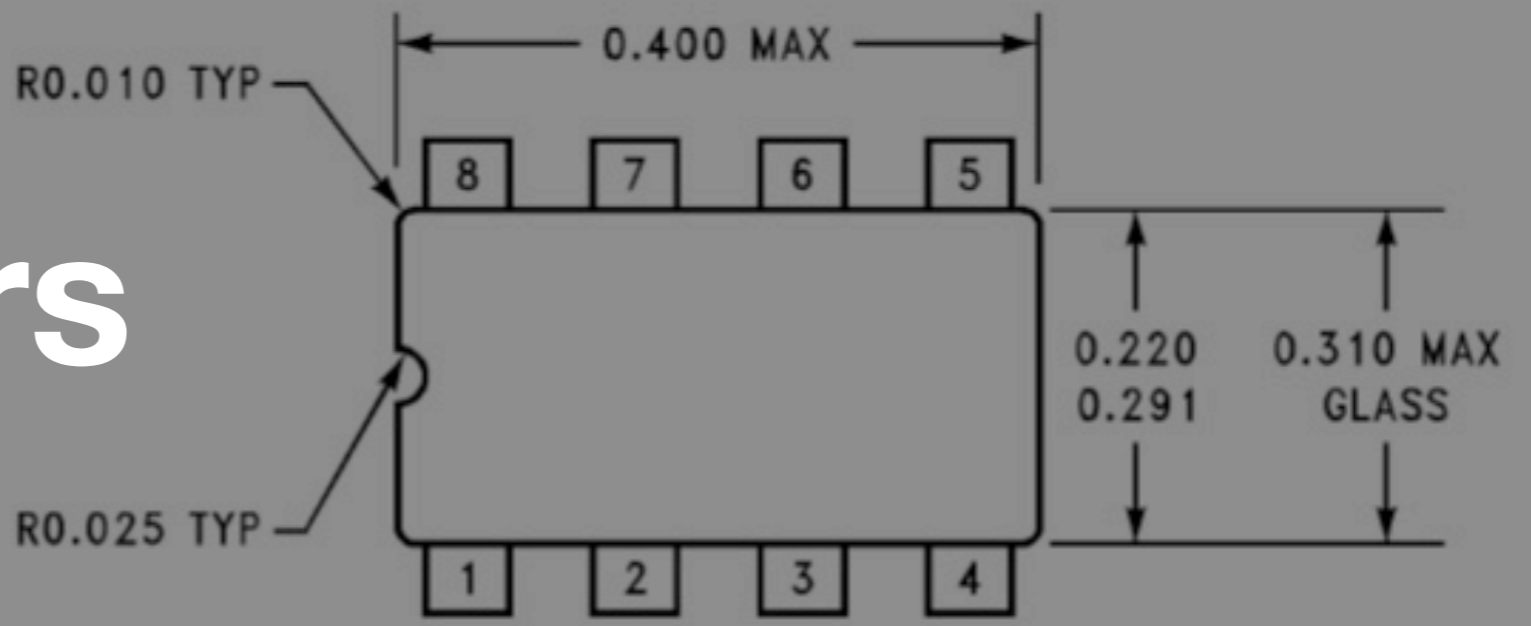
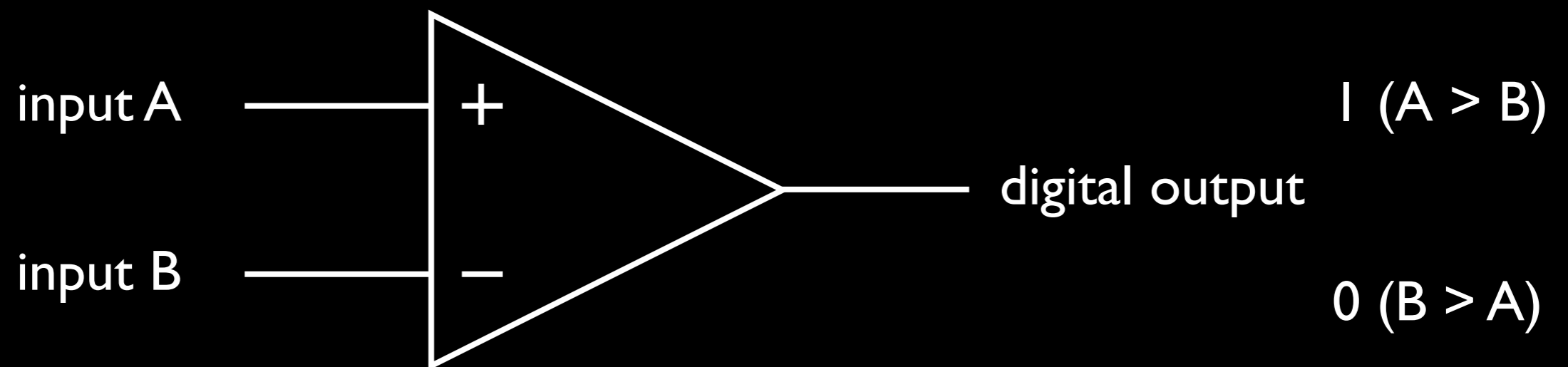


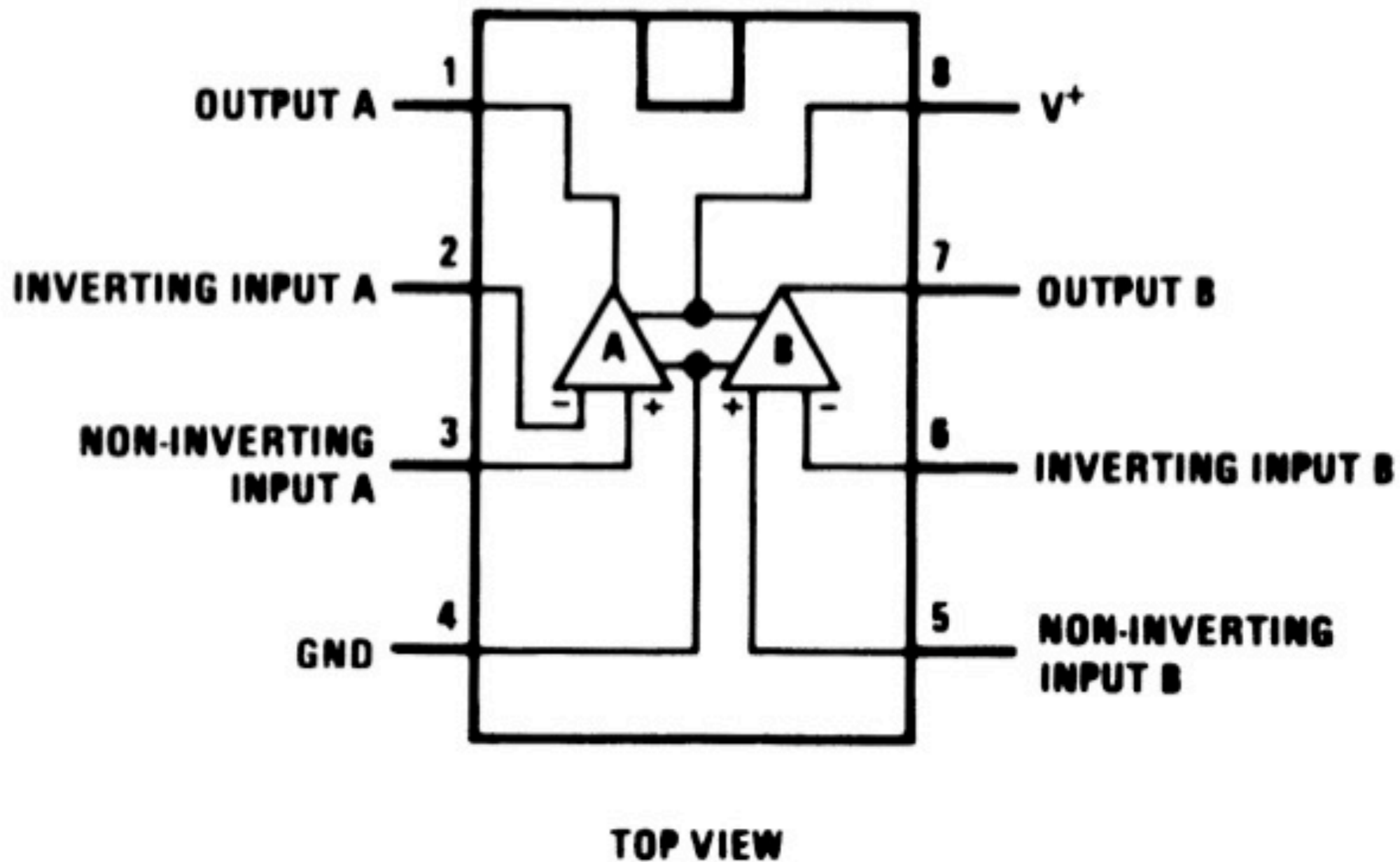
Comparators



Comparator Basics

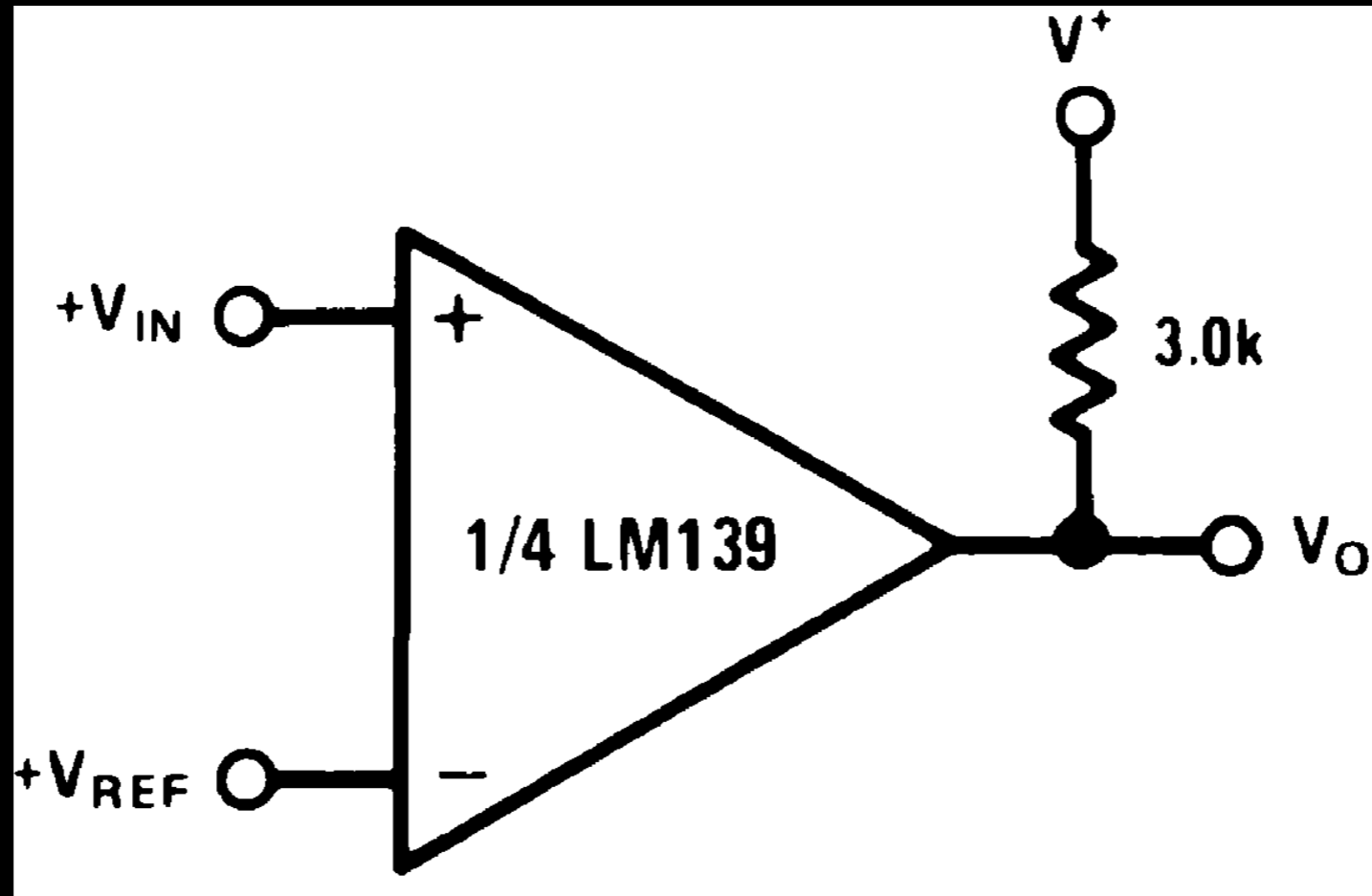


LM393 dual comparator

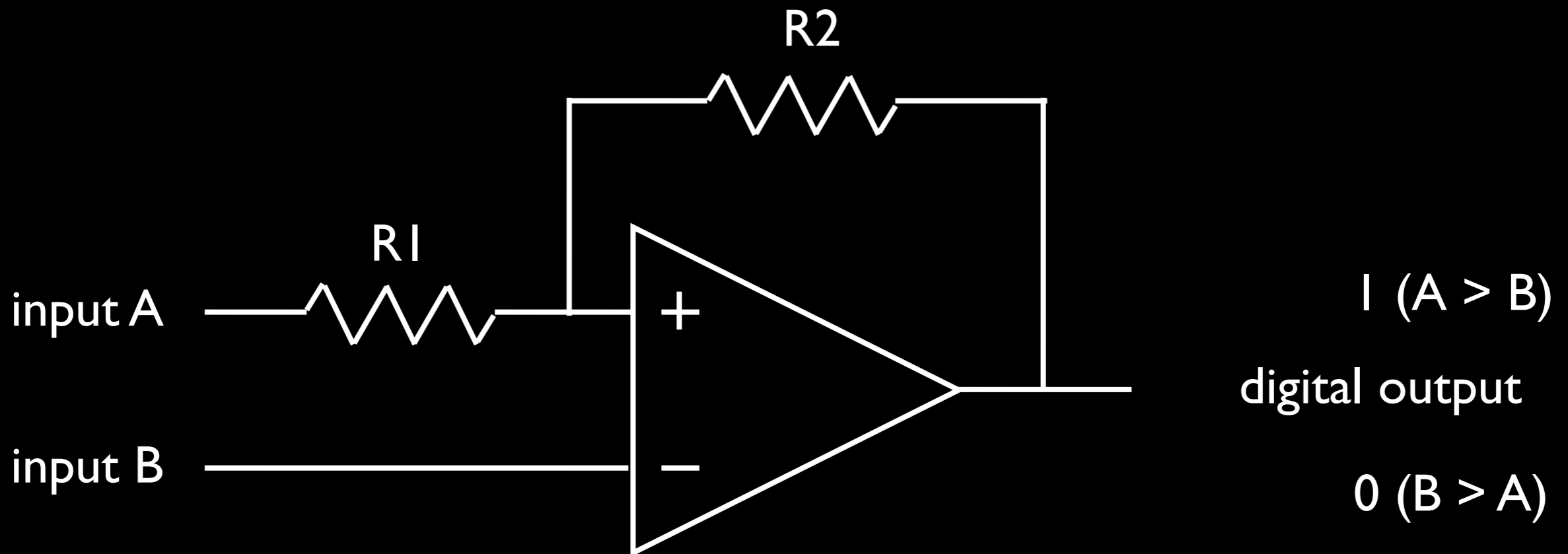


(note - beware the open-collector outputs!)

(dealing with Open-Collector Outputs)



Introducing Hysteresis



$$\Delta V_H = \frac{R_1}{R_1 + R_2} V_{cc}$$